

# BC-158

## One-Part Butyl Rubber Sealant

## Specification Data Sheet



### 1. BASIC USES

Provides a durable long-lasting seal between all types of masonry, steel, aluminum, glass, wood and other common construction materials. Also for sealing glass in channel glazing panels, caulking joints, mullions and flashings in curtain wall construction, and installation of insulated glass units in metal or wood frames. BC-158 is USDA approved for use in food processing plants.

### 2. MANUFACTURER

Pecora Corporation  
165 Wambold Road  
Harleysville, PA 19438  
Phone: 215-723-6051  
800-523-6688  
Fax: 215-721-0286  
Website: www.pecora.com

### 3. PRODUCT DESCRIPTION

Pecora BC-158 is a one-part gun grade caulking, sealing and glazing compound formulated from virgin butyl rubber. Because of the well-known durability of butyl rubber, BC-158 provides a long-lasting durable seal between joints of similar and dissimilar surfaces.

#### Limitations:

- Where joints are continuously submerged in water, joints subjected to foot or vehicular traffic.
- In window glazing applications or hidden joint details, which require a non-skinning, non-hardening sealant

#### PACKAGING

- 10.1 fl. Oz (300 ml) cartridge

#### COLOR

- Black, Tru-White, Aluminum Stone

### 4. TECHNICAL DATA

**Applicable Standards:** Meets requirements of Federal Specification AAMA 808.3-05, ASTM C-1311 (+/- 7.5% joint movement), TT-S-001657, Type I and TT-C-1796A

### 5. INSTALLATION

**Joint Design:** For optimum performance, joints should be designed for no more than 5% extension or compression. Neither the width or the depth of the joint should be less than 1/4" (6 mm). Ideally, the depth should be one half the width. The maximum recommended width is 3/4" (19 mm), with a depth range of 1/4" to 3/8" (6 to 9 mm).

**Surface preparation:** Joints must be clean, dry and free of foreign matter, including form-release and curing agents in concrete joints or protective coatings on aluminum. Priming is not required.

**Joint Backing:** Joint backing materials control the depth of the sealant and permit the sealant to be installed under pressure. Joints should be filled to within 1/2" of the surface with polyethylene or polyurethane backer rod, preferably of a non-gassing, non-absorbing type. Use a size that will compress about 25% when installed. Where it is not possible to use a backer rod, use a bondbreaker tape at the bottom of the joint to prevent three-sided adhesion and allow for free movement of the sealant after it has cured.

### TYPICAL PHYSICAL PROPERTIES

Test Property	Typical Values	Test Results
Tack Free Time (hrs.)	2	ASTM D-2377
Shrinkage	20% max.	ASTM D-2453
Press-Flow Viscosity (sec./g)	3 @40 psi	ASTM D-2452
Cure Through (days)	21	ASTM D-2377
VOC (g/L)	<250	ASTM D-3960
Solids (%)	80	ASTM C-681
Flow (inches)	0.15	ASTM D-2202
Weight per Gallon (lbs.)	11.0	ASTM D-1475
Specific Gravity	1.32	ASTM D-1475
Stain Index	#3	ASTM D-2203
Flash Point	105°F (40°C)	ASTM D-56
Service Temp.	-20°F to +200°F	ASTM D-3359
Application Temp.	40°F to +120°F	ASTM C-603

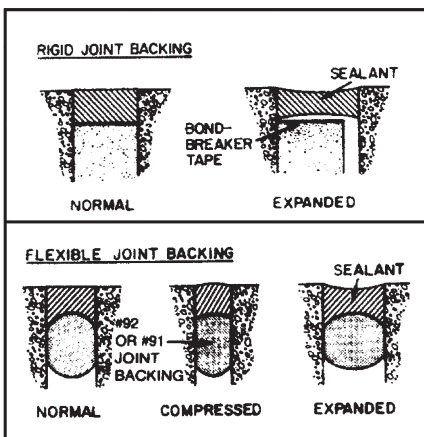
**Application:** Apply BC-158 at temperatures between 40°F to 120°F using a standard caulking gun.

**Glazing:** BC-158 offers many advantages in glazing windows due to its extreme durability. Because of the many variables involved in glazing, consult your Pecora representative or Technical Service department for specific recommendations.

**Tooling:** Tool the joint immediately to assure maximum contact between the sealant and the surfaces to be sealed. Tooling without slicking agents is preferred but if conditions require one, mineral spirits is recommended (follow safety precautions on supplier's MSDS).

**Cleaning:** Tools and equipment can be cleaned with mineral spirits.

**Storage Life:** BC-158 has a shelf life of 12 months when stored in original unopened containers between 65°F and 110°F.



**Precautions:** Combustible: Keep away from heat and flame. May cause respiratory tract irritation. Avoid prolonged or repeated breathing of vapor. Use only with adequate ventilation or wear an appropriate NIOSH-approved respirator. Contact with skin or eyes may cause irritation. Avoid contact and wash thoroughly after handling. May be harmful or fatal if swallowed. Refer to Material Safety Data Sheet (MSDS) for more information.

**FOR PROFESSIONAL USE ONLY.  
KEEP OUT OF THE REACH  
OF CHILDREN.**

## 6. AVAILABILITY AND COST

Pecora products are available from stocking distributors nationwide. For the name and telephone number of your nearest representative, call the number below or visit our website at [www.pecora.com](http://www.pecora.com).

## 7. WARRANTY

Pecora Corporation warrants its products to be free of defects. Under this warranty, we will provide, at no charge, replacement materials for, or refund the purchase price of, any product proven to be defective when used in strict accordance with our published recommendations and in applications considered by us as suitable for this product. The determination of eligibility for this warranty, or the choice of remedy available under this warranty, shall be made in our sole discretion and any decisions made by Pecora Corporation shall be final. This warranty is in lieu of any and all other warranties, expressed or implied, including but

not limited to a warranty of merchantability or fitness for a particular purpose and in no case will Pecora be liable for damages other than those expressly stated in this warranty, including but not limited to incidental or consequential damages.

## 8. MAINTENANCE

If the sealant is damaged and the bond is intact, cut out the damaged area and recaulk. No primer is required. If the bond has been affected, remove the sealant, clean and prepare the joint in accordance with the instructions in "INSTALLATION".

## 9. TECHNICAL SERVICES

Pecora representatives are available to assist you in selecting an appropriate product and to provide on-site application instructions or to conduct jobsite inspections. For further assistance call our Technical Service Department at 800-523-6688.

## 10. FILING SYSTEMS

- Sweet's Catalog File: [www.sweets.com](http://www.sweets.com)
- General Building
  - 07100 Waterproofing
  - 07920 Sealants
- Civil Engineering
  - 07100 Waterproofing

