

PECORA-DECK™

- 800 Series
- 800-VOC Series
- 800-RVOC Series

800 SERIES

Beige-Grey	525
Desert Tan	530
Stone Grey	535

800-VOC and 800-RVOC SERIES

Beige-Grey	525
Desert Tan	530
Clay	956
Slate Gray	957
Stone Grey	535
Charcoal Gray	950

Pecora-Deck™ systems are designed to waterproof concrete or plywood decks. In the case of concrete, Pecora-Deck systems protect from freeze-thaw damage and chloride induced corrosion with its destructive force on reinforcing steel. These coatings are available in both pedestrian and vehicular traffic grade versions and, where decks are elevated, provide excellent waterproofing for the occupied space below. The 800-VOC and 800-RVOC Series are VOC compliant in the State of California.

802 Base Coat – Designed to have tenacious adhesion to the substrate so that, in the event of physical damage to the system, water cannot migrate beneath it. High elongation and tear strength combine to make a tough, resilient material able to open to span cracks that may develop in the substrate.

804 Intermediate Coat – Used in all heavy-duty systems, this coat binds the skid-resistant aggregate in the heart of the system, assuring a long service life. It's higher tensile strength and hardness provide a transition from the softer, crack-bridging Base Coat to the harder, wear-resistant Top Coat.

806 Top Coat – Designed with a high tensile strength to ensure long service and excellent wear characteristics. Exterior topcoats use aliphatic polyurethane to eliminate chalking and provide exceptional resistance to UV damage. Excellent chemical and UV resistance, and no chalking assure the coating will provide long-term performance and good aesthetics.

Pecora Corporation

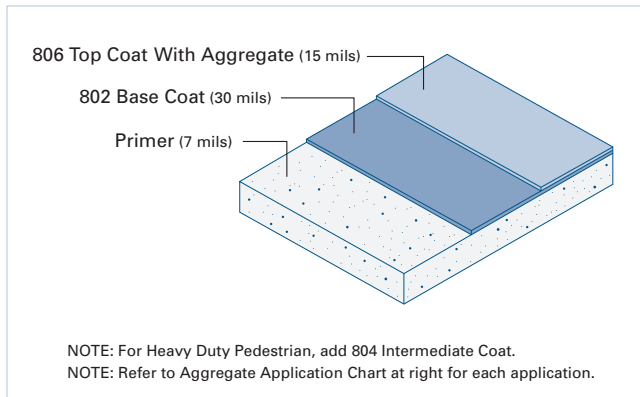
165 Wambold Rd
Harleysville, PA 19438
Phone: (215) 723-6051
(800) 523-6688
Fax: (215) 721-0286

www.pecora.com

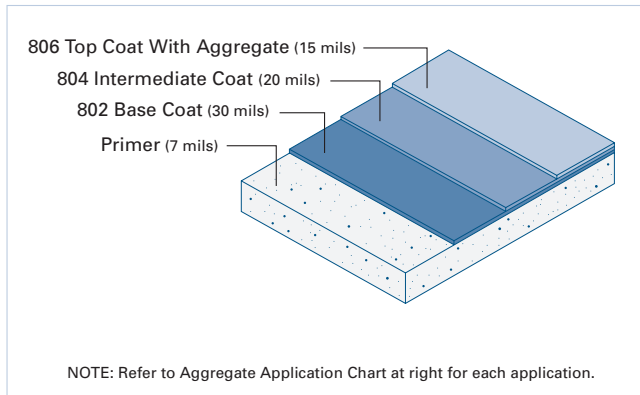
An ISO-9001:2000 certified company.

PECORA ELASTOMERIC DECK COATING SYSTEM

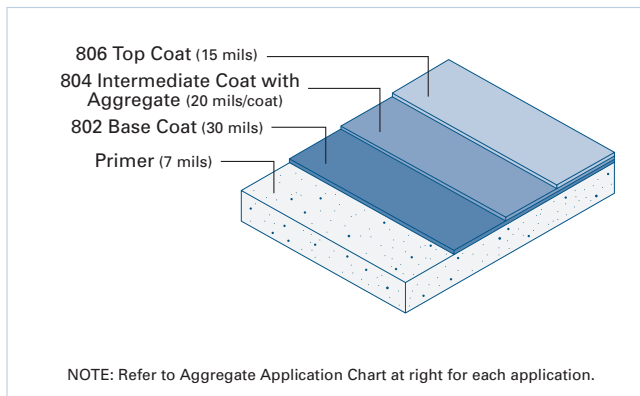
PEDESTRIAN



VEHICULAR STANDARD



VEHICULAR HEAVY DUTY



PECORA-DECK™ 800, 800-VOC and 800-RVOC SERIES COVERAGE CHART

Application	Primer 808 ^{1,3}	Base Coat 802 ¹	Intermediate Coat 804 ¹	Top Coat 806 ¹
Pedestrian	250 to 300	50	None	100
HD Pedestrian	250 to 300	50	80	80
Vehicular	250 to 300	50	100 ²	100
HD Vehicular	250 to 300	50	100 X 2	100
Mech. / Equip. Rm.	250 to 300	50	None	100
Tennis Deck	250 to 300	50	None	200 1 st & 2 nd coat 150 on final coat
Elevated Pool Deck	250 to 300	50	None	200 1 st 150 on final coat

¹Square feet / gallon

²Apply 2nd Intermediate coat to driving surfaces, ramps and high wear areas

³Use Primer P-808-WB with Pecora-Deck 800-VOC and 800-RVOC Series

TYPICAL AGGREGATE APPLICATION AND COVERAGE

Application	Mesh Size	Application To:	Coverage ⁴
Pedestrian	35 to 65	Top Coat	8-10
HD Pedestrian	35 to 65	Intermediate Coat	15-25
Vehicular	16 ^{1st} / 20 ^{2nd}	2 Intermediate Coats	10-1 st coat (15 to 25-2 nd Coat)
HD Vehicular	16 ^{1st} / 20 ^{2nd}	2 Intermediate Coats	10-1 st coat (15 to 25-2 nd Coat)
Mech. / Equip. Rm.	30	Top Coat	10
Tennis Deck	80 to 100	1 st / 2 nd Top Coat	25
Elevated Pool Deck	80 to 100	1 st Top Coat	25

⁴Lbs./ 100 square feet

Please refer to specific instruction sheet for each application.
Available at: <http://www.pecora.com/Productcat.asp?CatsId=16>

Pecora Corporation

165 Wambold Rd
Harleysville, PA 19438

Phone: (215) 723-6051
(800) 523-6688

Fax: (215) 721-0286

www.pecora.com

An ISO-9001:2000 certified company.