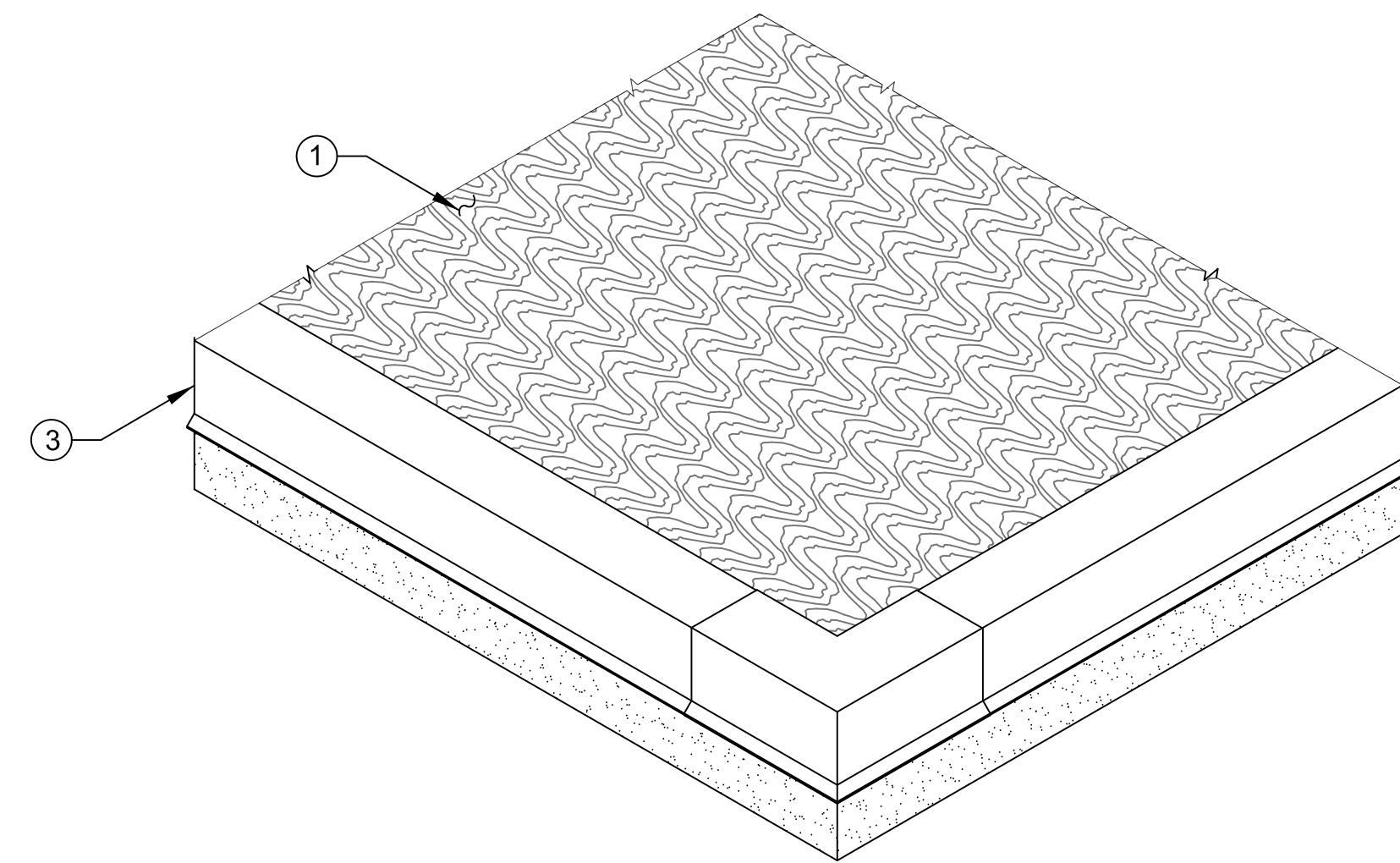
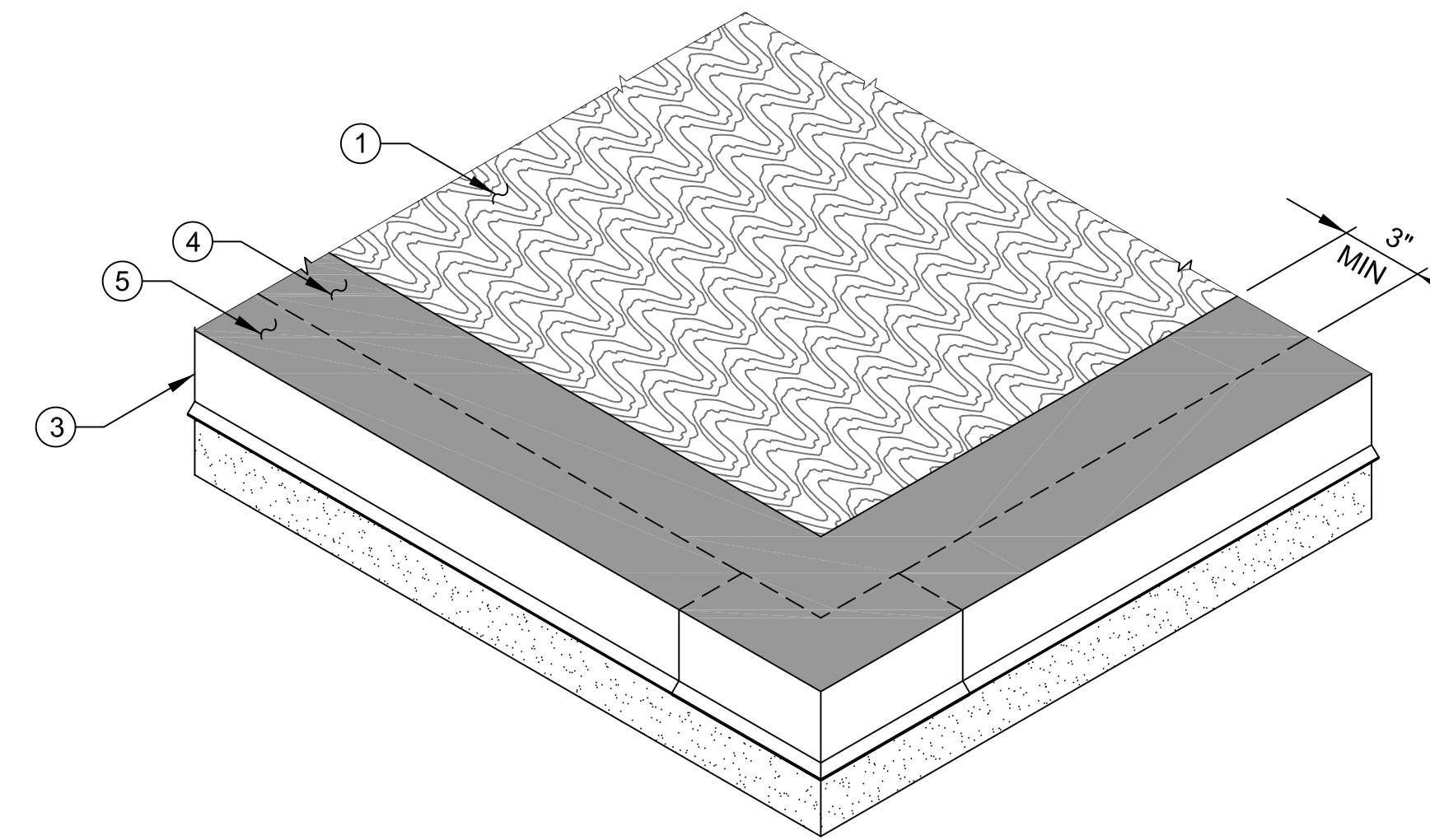


1: PLYWOOD DECK WITH PERIMETER RECESS



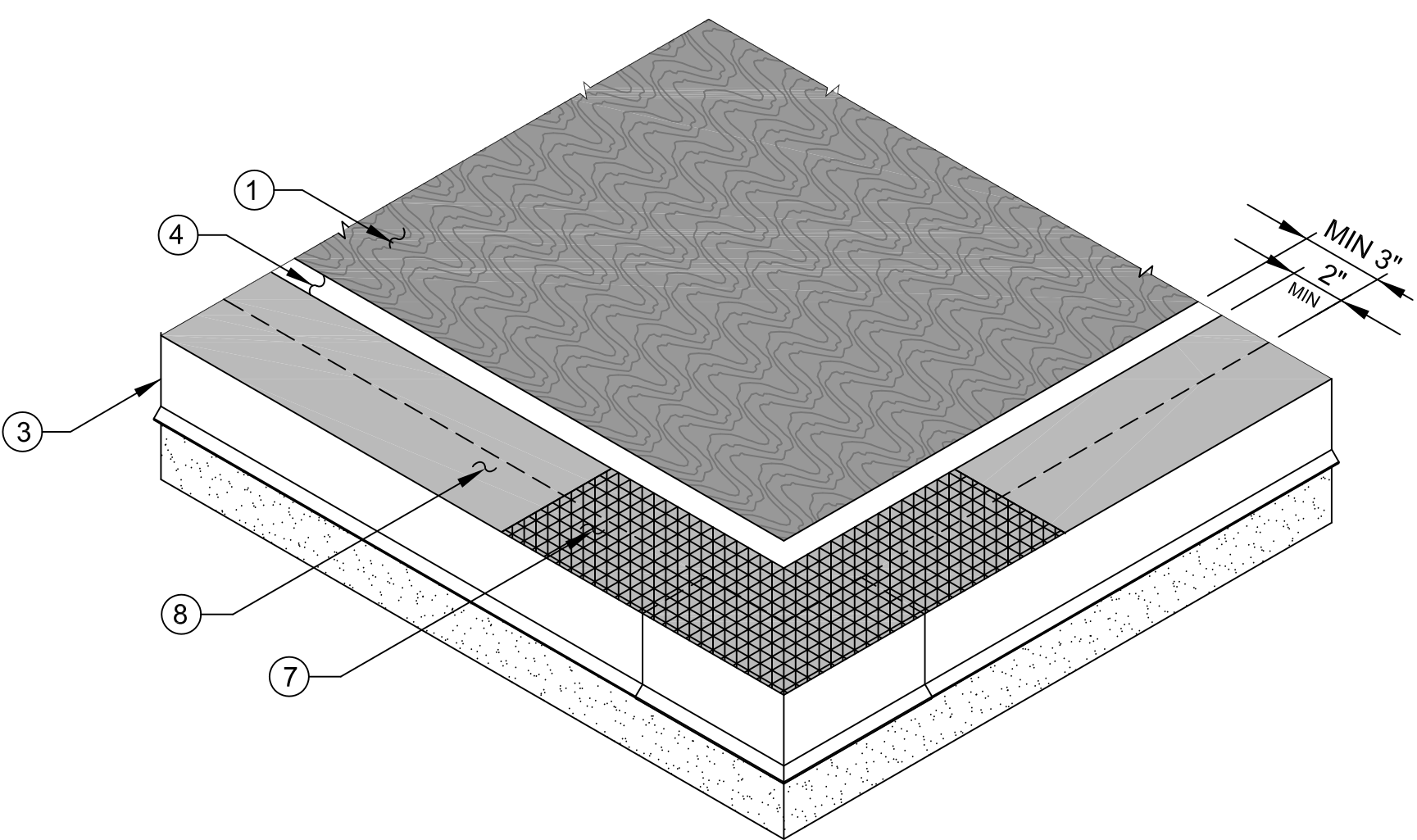
2: PLYWOOD DECK WITH METAL DRIP EDGE



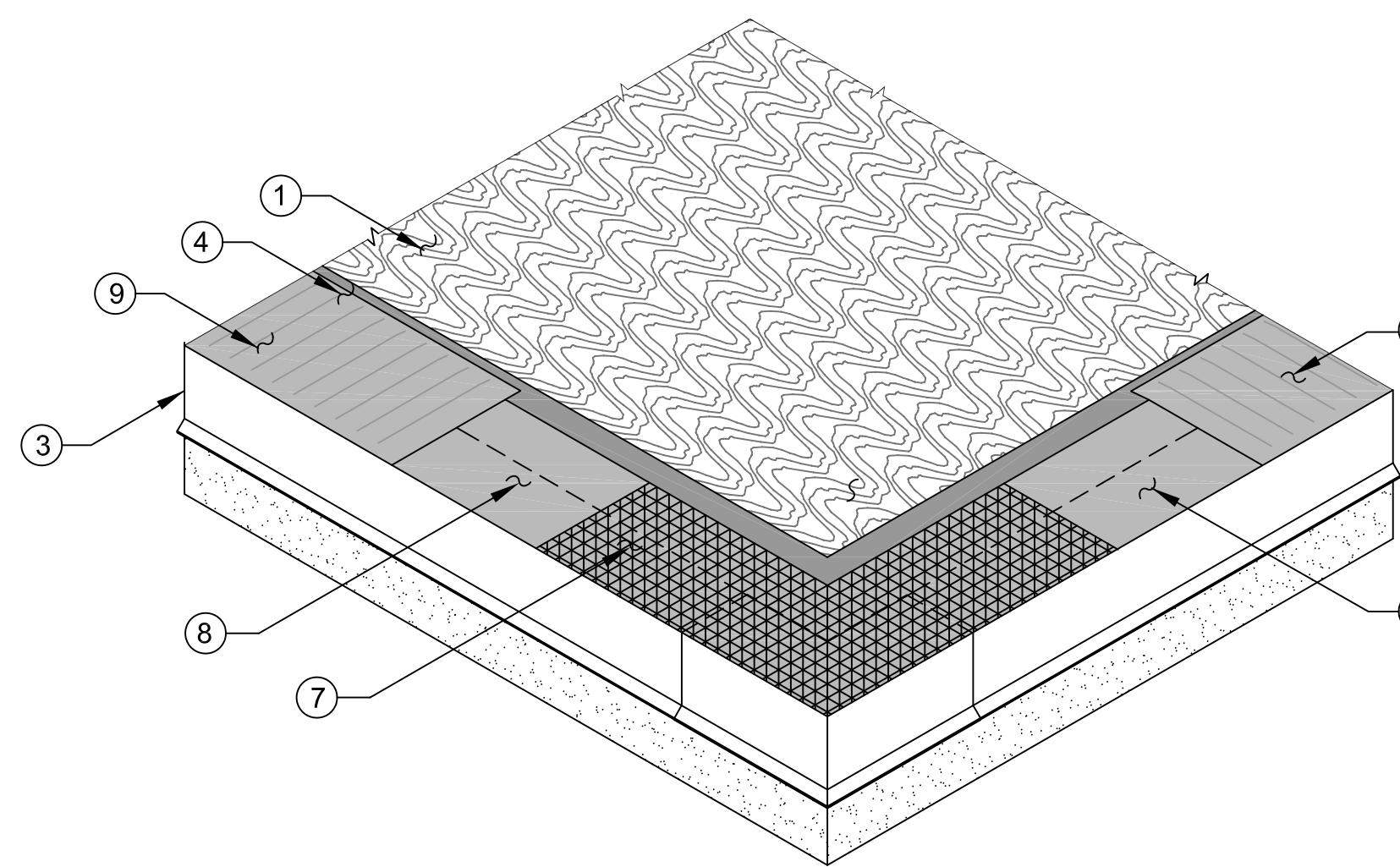
3: PRIMED MATERIAL TRANSITIONS

- PLYWOOD DECK KEYNOTES:**
- BALCONY FLOOR CONSTRUCTION**
1. PREPARED PLYWOOD DECKING (SLOPED)
 2. WOOD FRAMING
- EXTERIOR DECK SUPPLEMENTARY COMPONENTS**
3. SHEET METAL DRIP EDGE
- TRAFFIC BEARING COATING**
4. PECORA P-801-VOC PRIMER
 5. PECORA P-100 PRIMER
 6. PECORA-DECK 802 BASE COAT
 7. REINFORCING CLOTH EMBEDDED IN PECORA-DECK 802 BASE COAT
 8. PECORA-DECK 802 BASE COAT (BACK-ROLLED)
 9. DETAIL COAT OF PECORA-DECK 802 BASE COAT
 10. PECORA-DECK 806 TOP COAT

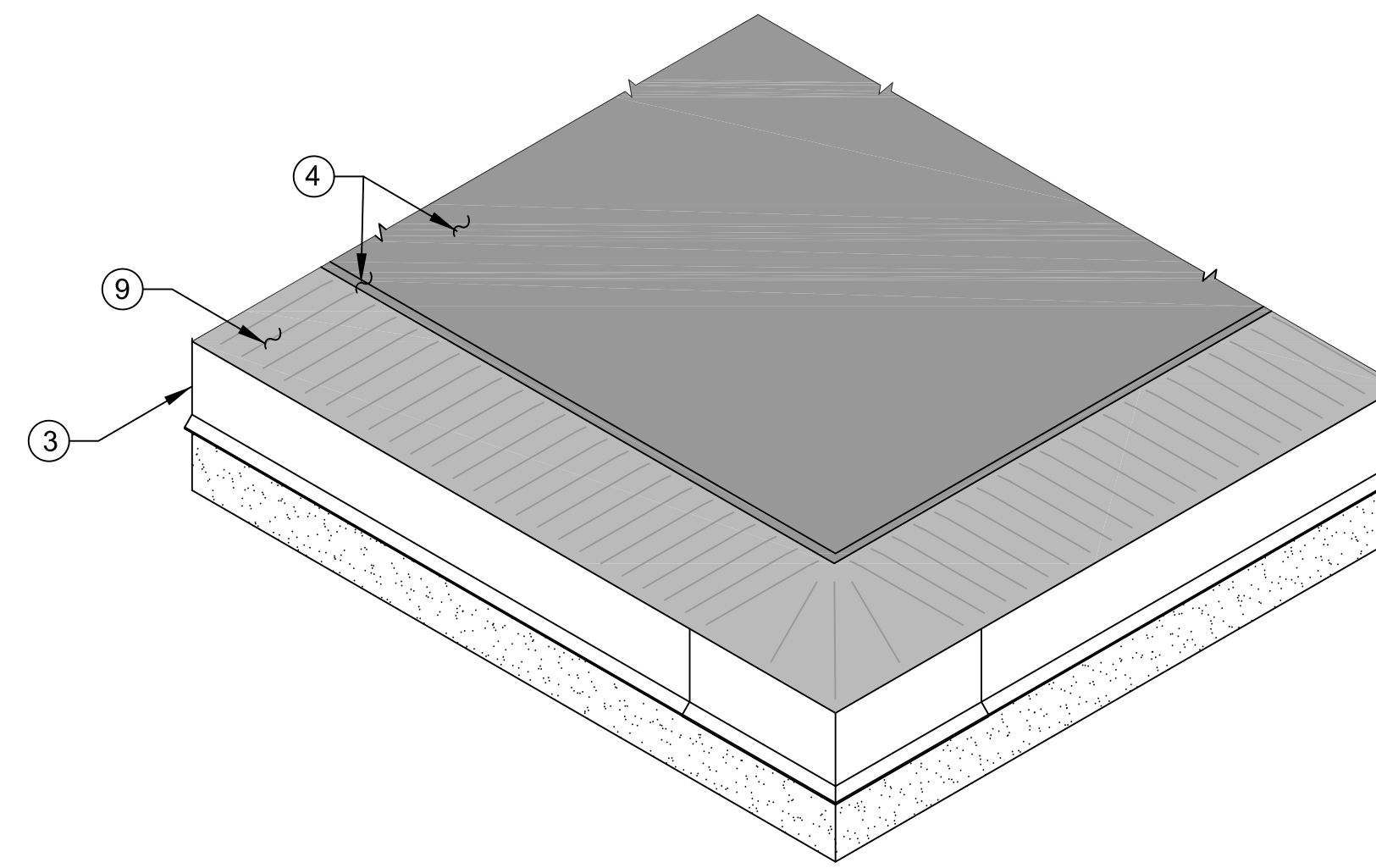
- GENERAL NOTES:**
1. PRIME METAL SURFACES WITH PECORA P-100 PRIMER.
 2. SEE PECORA-DECK TRAINING MANUAL FOR FURTHER INFORMATION.



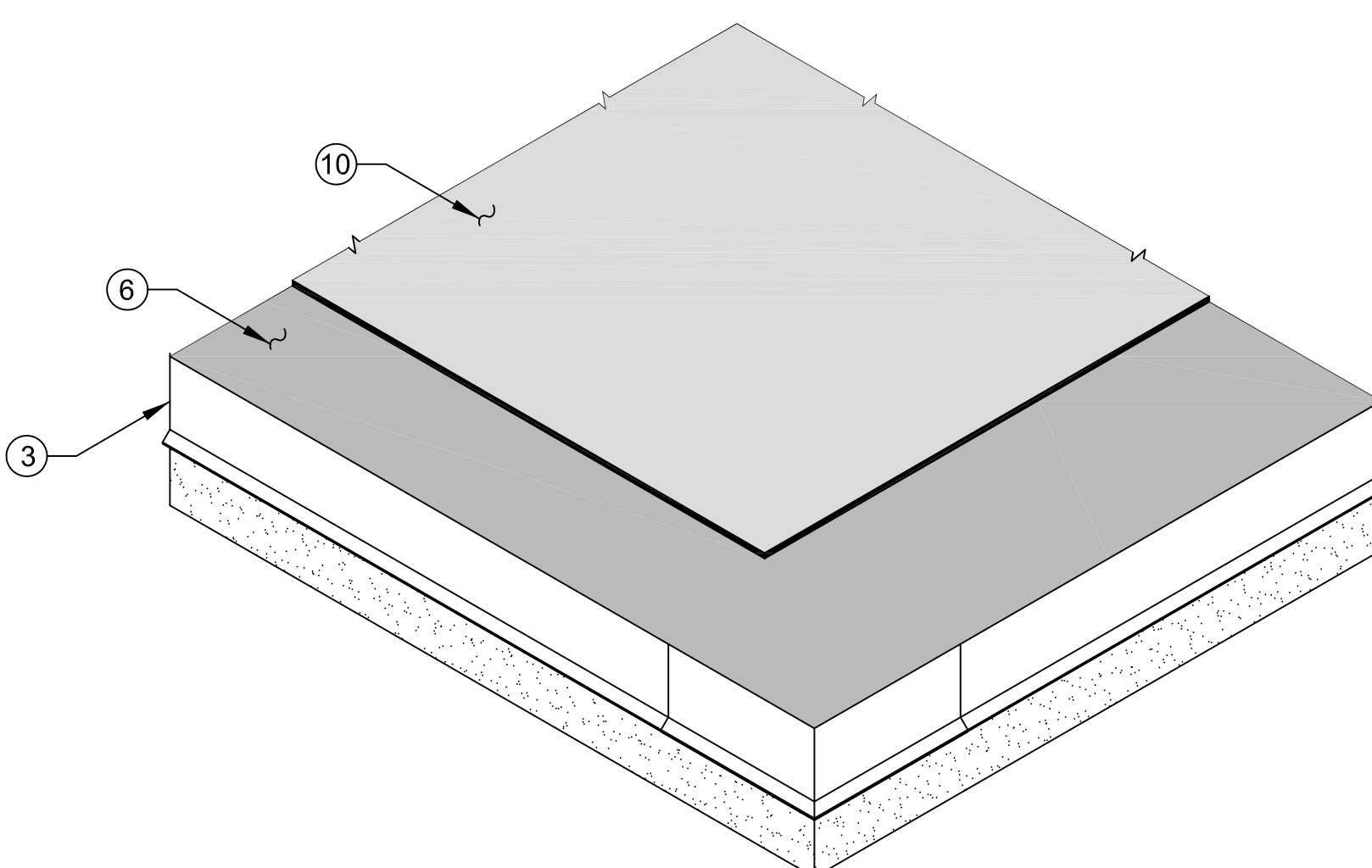
4: BASE COAT & REINFORCING CLOTH AT MATERIAL TRANSITIONS



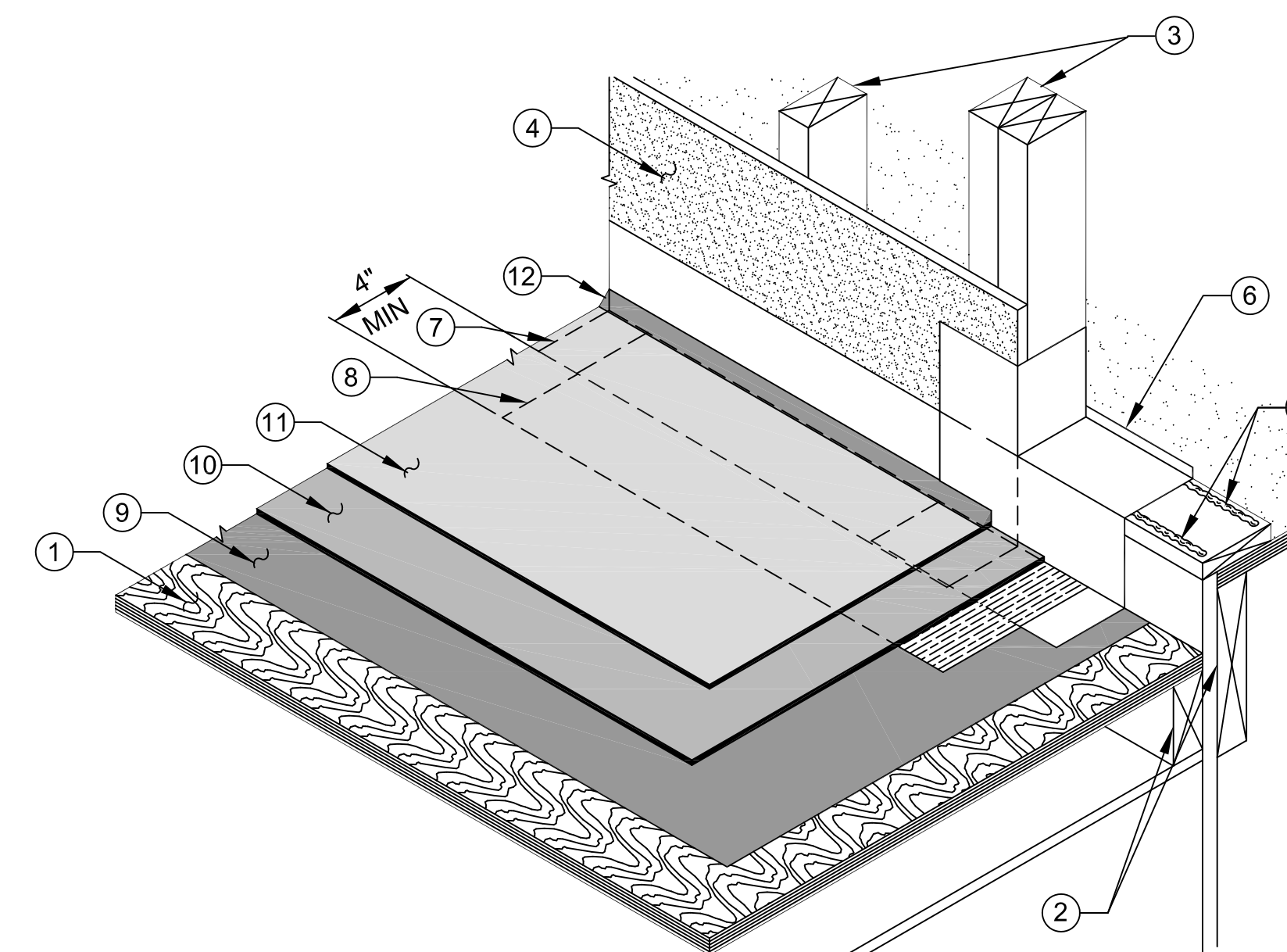
5: BACKROLLED MESH DETAILED WITH BASE COAT



6: PREPARED & PRIMED PLYWOOD DECK



7: COMPLETED PLYWOOD DECK TRAFFIC COATINGS



DOOR PAN & WALL FLASHING ISOMETRIC

- DOOR PAN KEYNOTES:**
- BALCONY FLOOR CONSTRUCTION**
1. PREPARED PLYWOOD DECKING (SLOPED)
 2. WOOD FRAMING
- EXTERIOR WALL CONSTRUCTION**
3. WOOD FRAMING
 4. SHEATHING
- EXTERIOR WALL SUPPLEMENTARY COMPONENTS**
5. BEAD OF APPROVED PECORA SILICONE JOINT SEALANT
 6. SHEET METAL SILL PAN FLASHING
 7. SHEET METAL WALL-TO-DECK FLASHING
 8. POLYESTER-BACKED BUTYL TAPE
- TRAFFIC BEARING COATING**
9. PECORA P-801-VOC PRIMER
 10. PECORA-DECK 802 BASE COAT
 11. PECORA-DECK 806 TOP COAT
 12. PECORA URETHANE SEALANT CANT (DYNATROL I-XL OR DYNATRED)

- GENERAL NOTES:**
1. EXTERIOR CLADDING NOT SHOWN FOR CLARITY.
 2. PRIME METAL SURFACES WITH PECORA P-100 PRIMER.
 3. DETAIL COAT OF PECORA-DECK 802 BASE COAT MAY REPLACE BUTYL TAPE.
 4. SEAL LAPS IN SHEET METAL FLASHING WITH PECORA BA-98 NON-SKINNING BUTYL JOINT SEALANT.
 5. SEE PECORA-DECK TRAINING MANUAL FOR FURTHER INFORMATION.