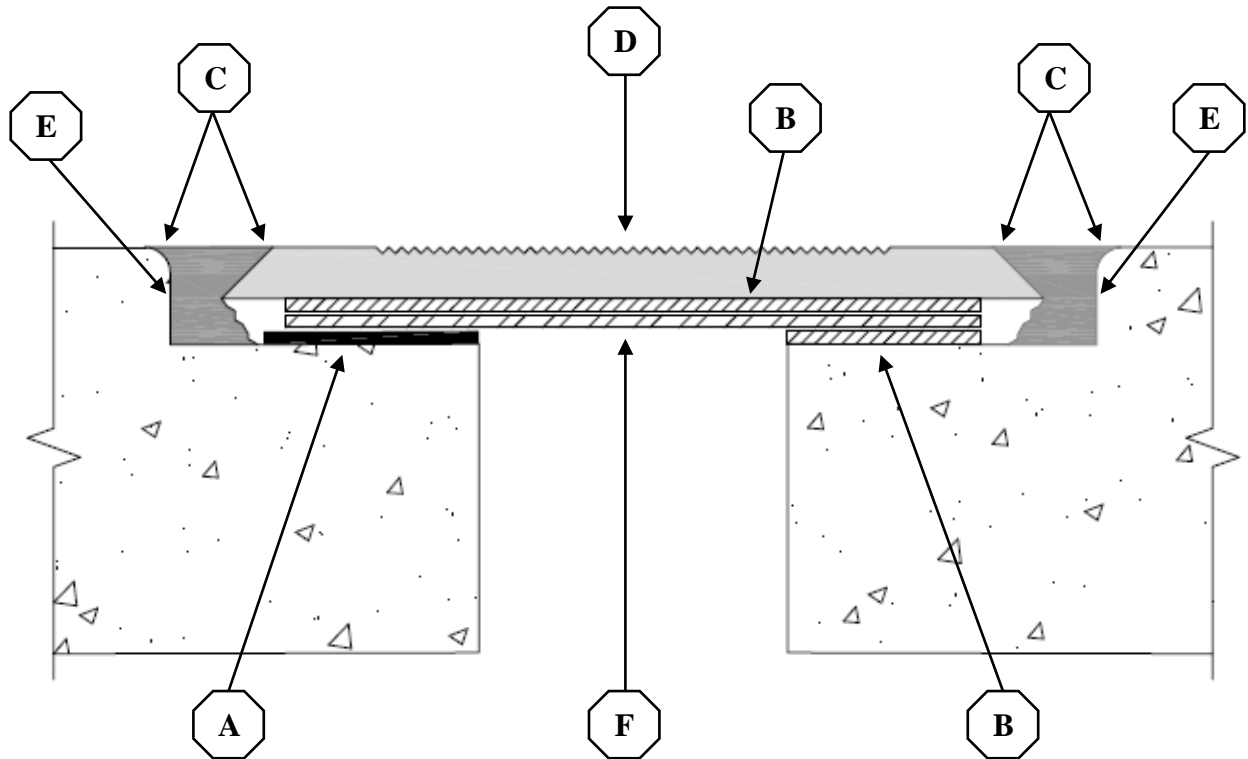


Technical Bulletin PEC180
Pecora Dynaspan Installation Guidelines



Typical Dynaspan Detail utilizing Aluminum Support Plate

A. Dynatred to bond aluminum plate to one side of concrete.

B. Polyethylene bondbreaker tape to concrete under unbonded side of aluminum plate and over aluminum plate. Sheet polyethylene can also be used over plate in lieu of bondbreaker tape.

C. P-75 Primer applied to concrete as well as the edge of the preformed Dynaspan and allowed to dry prior to application of Dynatred.

D. Premolded Dynaspan 1/2" in depth. Width of Dynaspan sealant should be a minimum of 5 times anticipated movement (minimum 3 inches).

E. Dynatred applied at job site a minimum of 1/2" on each side.

F. Aluminum traffic-bearing plate. For joints up to 8" wide, use 3/32" (.090") anodized aluminum. For joints over 8" wide, use 1/8" (.125") anodized aluminum. Plate width should be 75% of total sealant width.



Technical Bulletin PEC180 Pecora Dynaspan Installation Guidelines

Dynaspan Installation Procedure

1. The cured concrete T-Joint whether formed or saw cut, must be sound, dry and free of laitance and all foreign substances. Sandblast if necessary. The concrete edge should have a slight radius or bevel as indicated in detail. All work should be performed between 40° F and 80° F.
2. Apply bondbreaker tape to base of concrete as indicated in detail.
3. Apply traffic-bearing plate, if used, in proper position as indicated. Plate should be bonded to one side of joint with Dynatred. Apply bondbreaker tape or sheet polyethylene to top surface of plate. *Note: Aluminum plate required for use when joint movement exceeds 3/4”.*
4. Center preformed Dynaspan in joint cavity. Allow 3/8” to 1/2” between preformed runs of Dynaspan.
5. Prime the concrete surfaces to receive the Dynatred with P-75 Primer as well as the edges of the preformed Dynaspan and let dry. Dry time of P-75 is 1 (one) hour at 75° F.
6. Thoroughly mix the Dynatred and place in joint to make contact with the preformed Dynaspan and the concrete.
7. Seal all Dynaspan intersections/butt joints with Dynatred to effectively bond preformed sections. Dynaspan preform edges must be primed with the P-75 primer. Tool sealant to insure intimate contact with all surfaces.
8. Allow the Dynatred to develop a complete cure before exposing to pedestrian or vehicular traffic.

Dynaspan Sealant Width Selection Guide

Anticipated Movement	Minimum Total Sealant Width*	Dynaspan Premold Width	Actual Total Sealant Width**	Aluminum Support Plate Width	Aluminum Support Plate Thickness
1/2”	2 1/2”	3”	4”	N/A	N/A
3/4”	3 3/4”	3”	4”	N/A	N/A
1”	5”	4”	5”	3 3/4”	0.090”
1 1/4”	6 1/4”	6”	7”	5 1/4”	0.090”
1 1/2”	7 1/2”	8”	9”	6 3/4”	0.125”
2”	10”	10”	11”	8 1/4”	0.125”
2 1/2”	12 1/2”	12”	13”	9 3/4”	0.125”
3”	15”	14”	15”	11 1/4”	0.125”
3 1/2”	17 1/2”	18”	19”	14 1/4”	0.125”

* Minimum total sealant width based on Dynaspan expansion joint design requirement of 5x the anticipated movement.

** Includes Dynaspan premolded strip and Dynatred sealant (min. 1/2” sealant width along both edges of Dynaspan).

Notes: Total sealant width is always 5 times the anticipated movement and the aluminum support plate width is always 75% of the total sealant width. Consult Pecora Technical Service when designing joints with anticipated movement not covered on this table.

