

**HIGH PERFORMANCE SEALANT SOLUTIONS**



**ARCHITECTURAL GLAZING SYSTEMS**

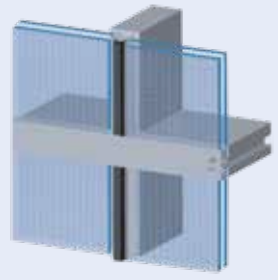




**SERVICE.  
PERFORMANCE.  
RESULTS.**

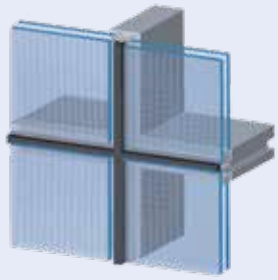
#### **Unmatched High Performance Sealant Solutions**

Pecora offers a complete line of high performance products suitable for shop or field applications in demanding structural and non-structural glazing. With building and energy efficiency codes becoming even more stringent, Pecora's glazing solutions include products with high green strength, long lasting bonds to a variety of substrates, and Pecora's industry leading non-staining technology.



### 2-SIDED GLAZING

Two-sided structural silicone sealant glazing provides dual adhered and mechanical support for the window system. Either the horizontal or vertical joints are structurally adhered to the supporting structure. The dead load of the glazing unit is supported mechanically.



### 4-SIDED GLAZING

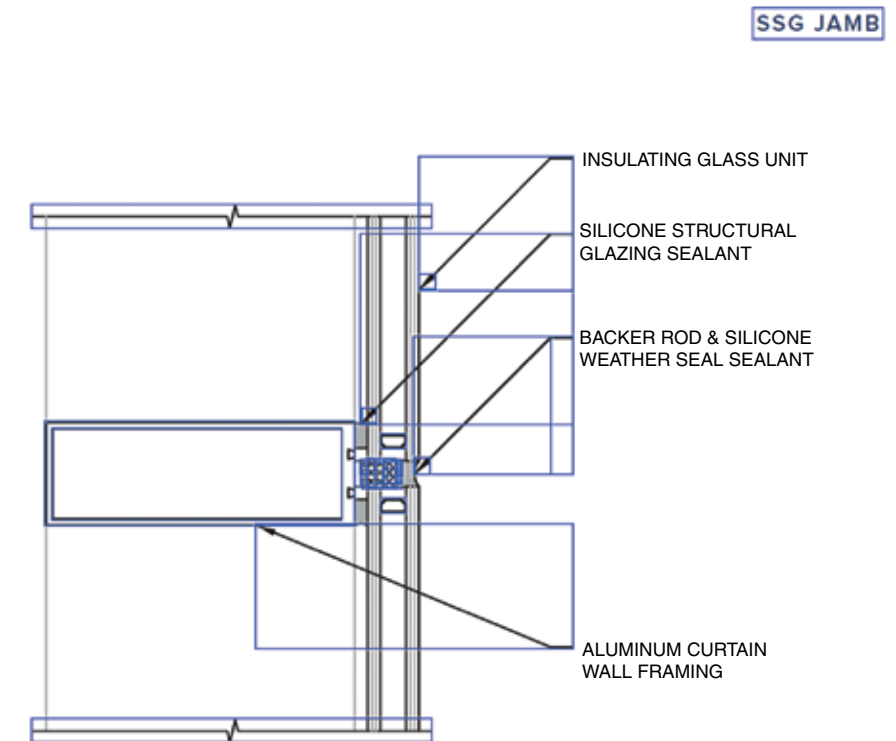
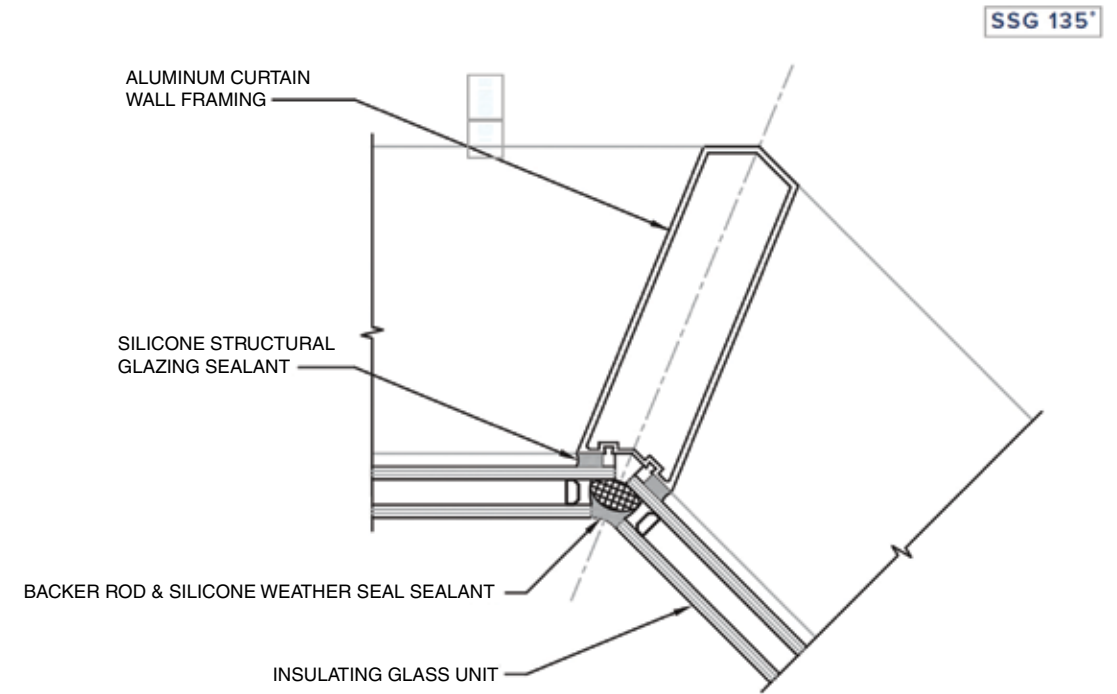
Four-sided structural silicone sealant glazing provides structurally adhered support for the glazing unit on both the horizontal and vertical joints — allowing for unique and uninterrupted glass designs.

## STRUCTURAL GLAZING

Over the past decades, there has been a greater emphasis and focus placed on structural glazing — allowing for sleeker and more modern building designs that maximize interior daylight and exterior views.

NOTE: Increased daylight and views are highly desirable and are among LEED credit requirements.

Glazing can contribute to timelier construction practices, a reduction in the overall weight of a structure, and thermal efficiency of buildings by reducing or eliminating the exposure of metal framing. Properly designed joints with the correct sealant is critical for optimum performance since the exterior of a building is subjected to harsh environmental conditions and UV rays. Properly installing the correct sealant forms a continuous waterproof seal against water and air infiltration withstanding gravity and wind loads on the glazing unit.





## STRUCTURAL GLAZING APPRAISAL PROGRAM

Structural glazing places a significant responsibility on all parties in the construction and architectural community. Pecora offers a complimentary Structural Glazing Appraisal Program designed to reduce the risks to all team members involved in the design, construction, and installation of structural silicone glazing sealants.

Our Technical Service Department advises on the correct sealant and sealant bite for the job and will work with the glazier to recommend proper surface preparation and installation procedures.

### THE PROGRAM CONTENTS

- Project Review
- Shop Drawing Review
- Adhesion Testing
- Stain Testing
- Compatibility Testing

### FOR MORE INFORMATION

Call Technical Services  
at 800-523-6688

In-shop fabrication of curtainwall systems requires special types of sealants with unique curing mechanisms that promote increased manufacturing efficiencies and sealant performance. These products provide primerless adhesion to most substrates and finishes. Applications of the sealant may vary from back bedding compounds, cap beads, interior joinery, end dams, and screwheads. The use of unitized glazing can help with construction efficiency — allowing for in-shop assembly of building components while minimizing delays due to weather conditions.

## UNITIZED GLAZING



### Pecora 895NST

A high performing, medium modulus structural glazing silicone specifically designed for curtain wall systems as well as a variety of non-structural weatherseal applications. This product comes in a wide range of colors.

### Pecora 890NST

An ultra-low modulus silicone designed for sealing expansion and control joints in precast panels and metal curtain walls as well as perimeter sealing of doors and windows. It performs exceptionally under dynamic conditions.

### Pecora 896FC

Eliminates the fluid found in traditional silicone sealants. Its fast-cure formula allows for a quick, sure adhesion while providing the fastest possible green strength available in a one-part silicone.

### Pecora 896HIS

A high impact silicone sealant designed for blast resistant, structural and protective glazing with very high tear and tensile strength as well as excellent adhesion to a variety of substrates.

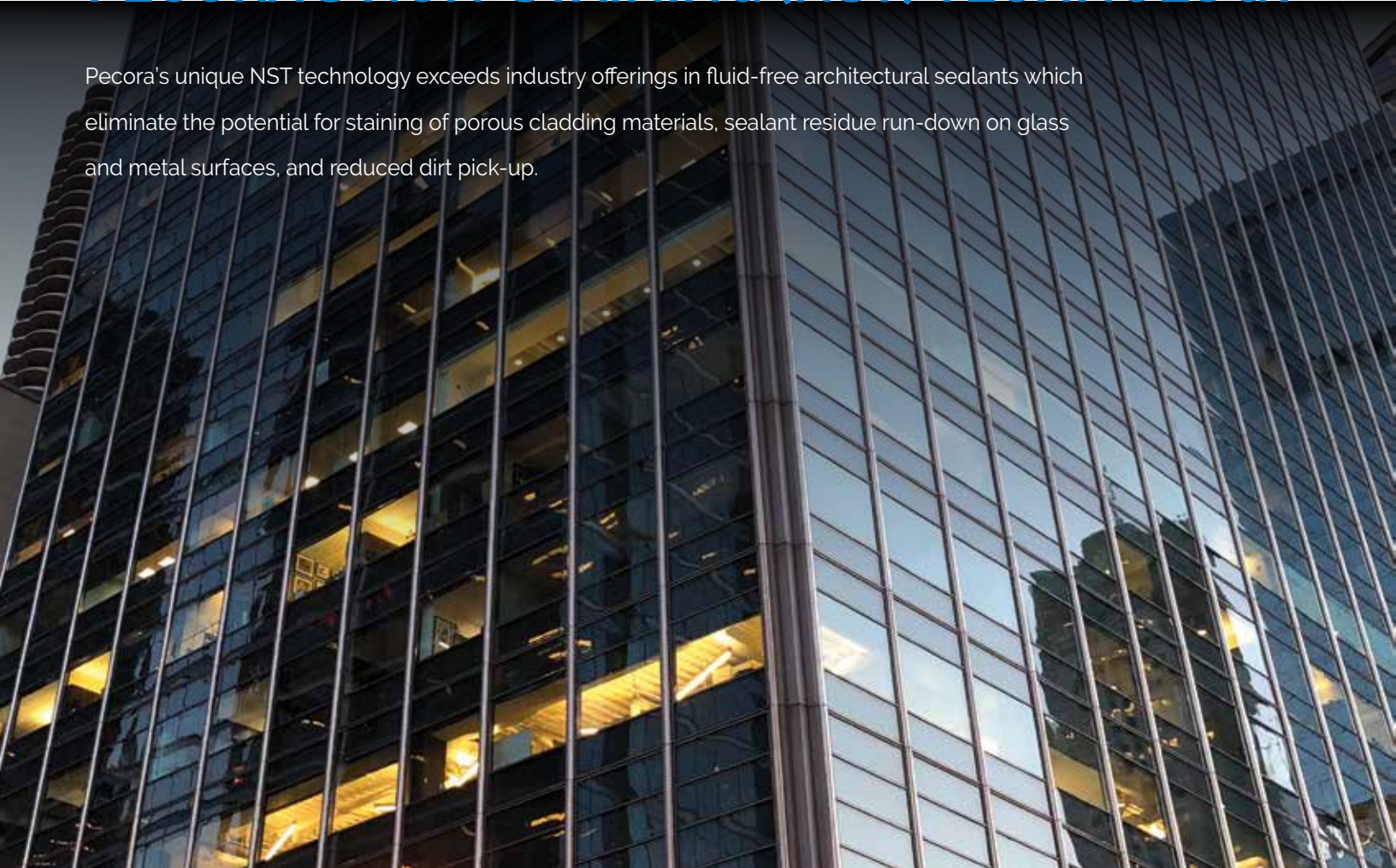
### Pecora 985

High modulus, two-component, fast-curing structural sealant specifically formulated for shopfabrication of unitized curtain walls and structural glazed details.



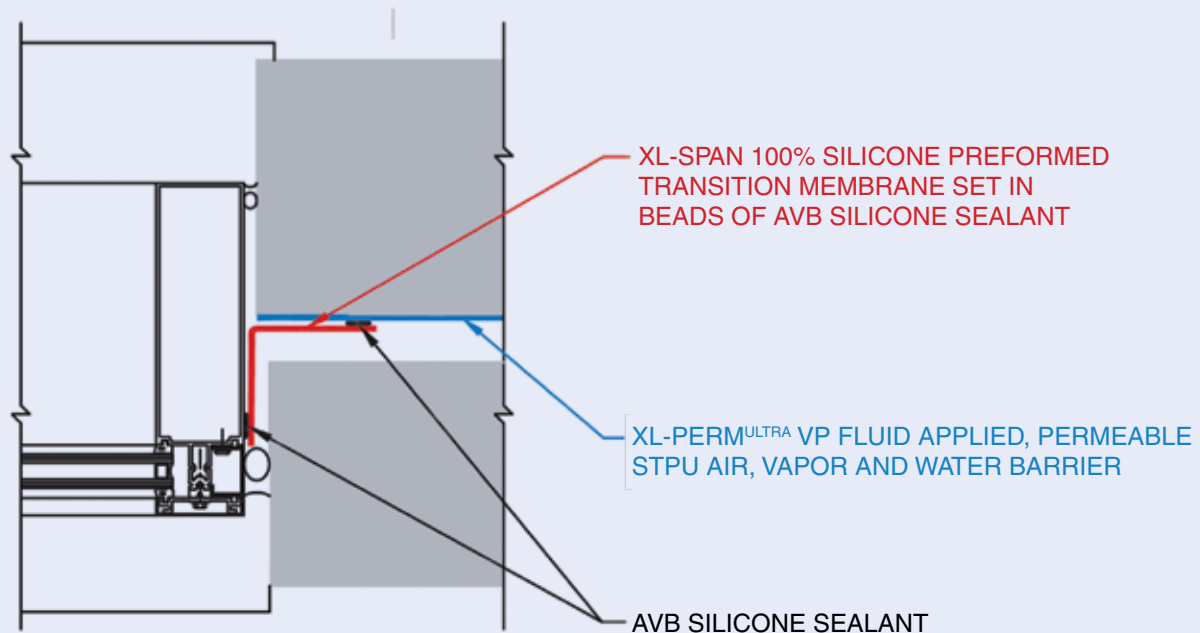
## PECORA'S NON-STAINING (NST) TECHNOLOGY

Pecora's unique NST technology exceeds industry offerings in fluid-free architectural sealants which eliminate the potential for staining of porous cladding materials, sealant residue run-down on glass and metal surfaces, and reduced dirt pick-up.



## RESTORATION MADE EASY

Sealant failures in glazing systems are a common occurrence during a building's lifecycle and can result in substantial damage to the property. Pecora's Sil-Span Preformed Silicone Profiles provide an alternative to the traditional method of repairing failed glazing sealants. Instead of the laborious job of removing the old material and possibly causing substrate damage, Pecora's Sil-Span bridges over failing glazing details and waterproofs the building envelope while maintaining building integrity.



## TRANSITION SYSTEMS

Continuity is key when considering building envelope performance and durability. Exterior glazing and window systems, curtain wall systems, storefront systems, louvers, and door frames must connect and seal adjoining opaque building façade components to prevent air and water penetration.

As building codes and regulations become more stringent, most buildings leverage some type of air barrier system to ensure energy efficient building envelopes. The creation of a continuous monolithic skin remains a key factor to the success of any air barrier system which typically includes challenges in connecting dissimilar components and materials. Pecora offers the XL-Transition System — an approach to assured continuity of the window or curtain wall system to the air, vapor, and water barrier systems — which utilizes Pecora's XL-Span 100% Silicone Extruded Transition Membrane and AVB Silicone Sealant. XL-Span comes in 50-foot translucent ribbed extruded membrane rolls and 4-, 6-, and 9-inch wide sections. Apply Pecora AVB, a single component 100% silicone sealant as the adhesive for the XL-Span to ensure an airtight transition. The XL-Transition System allows for a continual air and water tight transition seal between dissimilar materials, curtain wall, and window systems.

PRODUCT	DESCRIPTION	PROPERTIES/SPECIFICATIONS			
		Composition	Movement Class	Service Temperature °F	Modulus (Tensile at 100% extension (PSI))
	Non-Sag (NS) - Semi-Self Leveling (SLL) - Pre-Formed (P)				
896	Standard Glazing Silicone (NS) (SSL) (I)	Silicone	50	-60 to 300	55
896TBS	Composite Thermal Break Adhesion (NS) (SSL) (I)	Silicone	50	-60 to 300	55
896FC	Ultra Fast Curing Window & Door Sealant (NS) (I)	Silicone	25	-60 to 300	45
896-HIS	High Impact Silicone (NS) (I)	Silicone	25	-60 to 300	120
985	Fast Curing Silicone (NS) (2)	Silicone	25	-60 to 300	75
1215	Low Viscosity Seam Sealer (NS) (SSL) (I)	Silicone	N/A	-60 to 300	40
860	Economical, Acetoxy Glazers and Contractor Sealant (NS) (1)	Silicone	50	-60 to 300	5
PCS	Contractor Silicone (NS) (1)	Silicone	50	-60 to 300	N/A
Sil-Span	Pre-Formed Silicone Profile Seal (P)	Silicone	200	-60 to 300	30
890NST	Non-Staining Technology™ Ultra Low Modulus Silicone Sealant (NS) (1)	Silicone	100	-60 to 300	25
895NST	Non-Staining Technology™ Silicone Glazing & Weatherproofing Sealant (NS) (1)	Silicone	100	-60 to 300	25
AVB	Air Barrier Surface Transition Silicone Sealant (NS) (1)	Silicone	25	-60 to 300	33
XL-Span	Pre-Formed Silicone Transition Membrane (P)	Silicone	200	-60 to 300	180
BA-98	Non-Skinning Butyl Sealant	Butyl	N/A	-40 to 250	N/A

## WE ARE YOUR SINGLE SUPPLIER FOR ARCHITECTURAL GLAZING SEALANTS

PRODUCT	APPLICABLE SPECIFICATIONS											APPLICABLE STANDARDS		
	Expansion & Control	Waterproofing	Non-Structural Glazing	Structural Glazing	Shop Glazing	Window Bedding	High Impact	Food Processing	Perimeter	Sanitary Sealing	Security		Acoustical	Seam Sealer
896	■	■	■	■	■	■			■				■	TT-S-001543 A, TT-S-00230C Class A and ASTM C-920, Class 50, Type S, Grade NS, Use G,A,M,O, ASTM C-1184, AAMA 802.3 Type I & II, AAMA 805.2, AAMA 803.3 Type I, AAMA 803.3 Type II (896-SSL). CAN 2-19.13-M82 (19-GP-9MA)
896TBS	■	■	■	■	■	■			■				■	TTT-S-001543 A, TT-S-00230C Class A and ASTM C-920, Class 50, Type S, Grade NS, Use G, A, M, O, ASTM C-1184-91, AAMA 802.3 Type I & II, AAMA 805.2, AAMA 803.3-92 Type I, AAMA 803.3-92 Type II (896-TBS-SSL), CAN 2-19.13-M82 (19-GP-9MA)
896-FC		■	■		■	■	■		■					TT-S-001543A, TT-S-00230C, ASTM C-920
896-HIS			■	■	■	■	■			■				AAMA 506.0, TTS230C, CLASS A, ASTM C920, ASTM C1184
985			■	■	■	■	■	■					■	ASTM C920, USDA
1215		■							■					ASTM C920, USDA
860	■		■			■		■	■	■			■	ASTM C920, TT-S-001543A, FDA
PCS	■		■					■	■					ASTM, TT-S-00230C, CGSB-19GP-9, USDA
Sil-Span	■		■					■	■					ASTM C1523, USDA
890NST	■		■					■	■					ASTM C-920, Class 50, Type S, Grade NS, Use G, M, A, O, TT-S-001543A, 19-GP9, USDA
895NST	■		■	■	■	■	■	■	■					ASTM C920, TT-S-001543A, 19-GP9, USDA
AVB		■						■	■					ASTM C920, USDA, UL
XL-Span		■						■	■					ASTM C-1523, USDA
BA-98												■		ASTM C-919, ASTM E-90, AAMA 809.2

Pecora Corporation  
165 Wambold Rd  
Harleysville, PA 19438  
(215) 723-6051  
(800) 523-6688  
fx: (215) 721-0286

[pecora.com](http://pecora.com)



### **THE PECORA PROTECTS PROMISE**

The Pecora promise is about more than high quality sealants, air barriers, and traffic coatings. It's a promise to you, to your project, to your reputation. We're hands-on and always here when you need us. Ready to make recommendations, answer questions, work through decisions, and help you find the best solution for your job. It's a promise of partnership. Pecora — protecting projects and reputations since 1862.