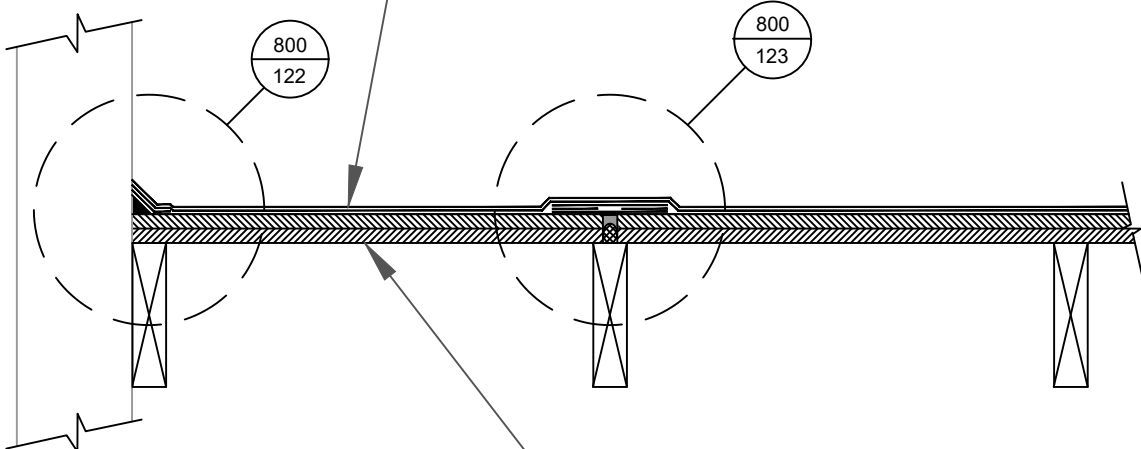


PECORA-DECK 8313PW or 8313LM-PW PLYWOOD DECK  
 PEDESTRIAN SYSTEM, CONSISTING OF:  
 PECORA P-801-VOC POLYURETHANE or P-808 EPOXY PRIMER  
 PECORA-DECK 802 BASE COAT  
 PECORA DYNAPOXY LO-MOD EPOXY (OPTIONAL)  
 PECORA-DECK 806 TOP COAT



NEW / EXISTING PLYWOOD  
 FLOOR & SUBFLOOR



**PECORA  
 CORPORATION®**

Architectural Weatherproofing Products  
 U.S.A. • since 1862

Pecora Corporation is a manufacturer of materials and not a licensed design professional. Details prepared by Pecora are schematic only and are offered as a guide for the convenience of Pecora's customers.

07 18 00 - TRAFFIC COATINGS / B3040 - TRAFFIC BEARING COATINGS  
**PECORA-DECK 800 SERIES DECK COATING SYSTEM**  
**8313 PLYWOOD DECK APPLICATION**

SCALE: NONE

REV.: 3-2021

DRAWING NO.: PEC-DT-800-007