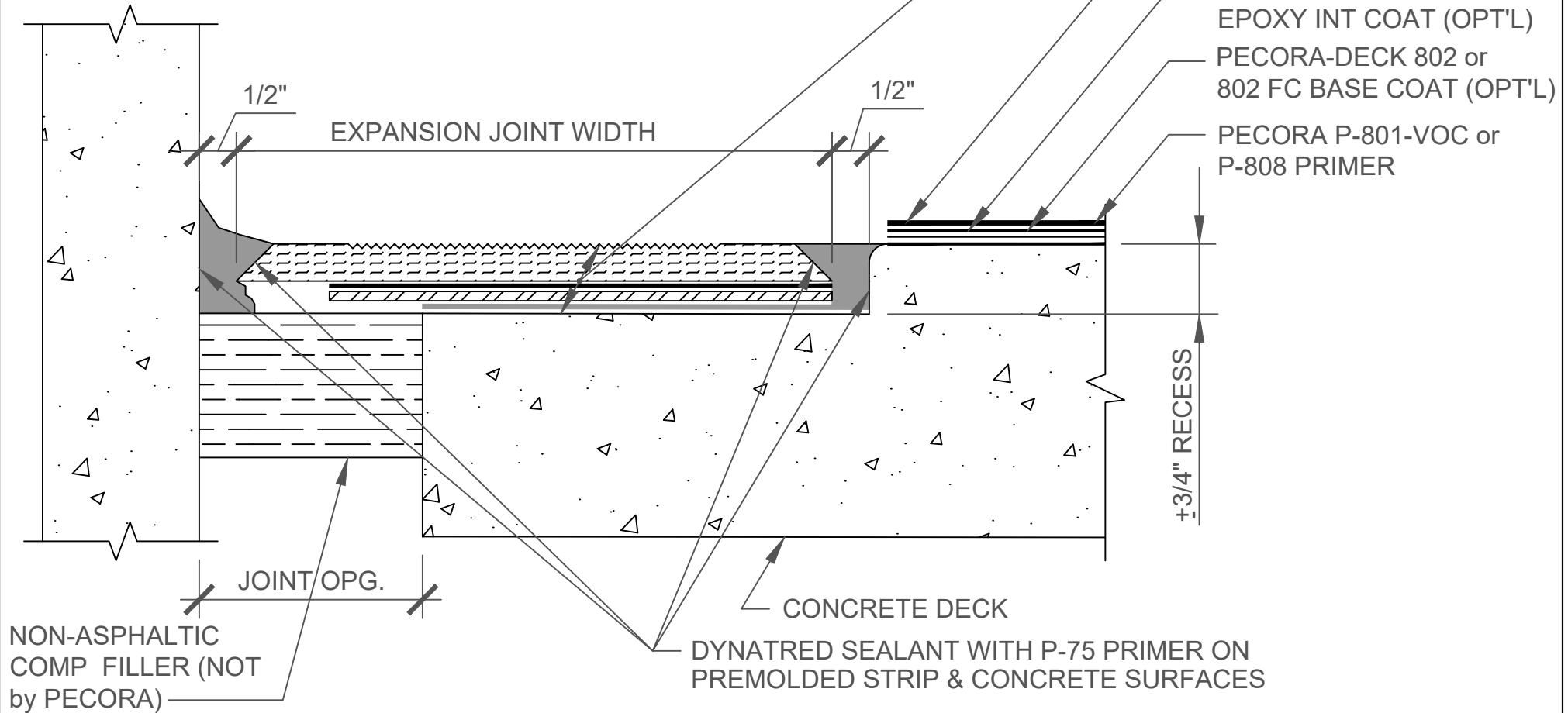


**NOTES:**

CONTACT PECORA TECHNICAL SERVICE  
FOR COMPONENTS & SIZING OF DYNASPAN  
EXPANSION JOINT SYSTEM.

COATINGS & COATING THICKNESSES PER  
SPECIFIED PECORA-DECK HB1000 TRAFFIC  
COATING SYSTEM.



**PECORA CORPORATION**

Architectural Weatherproofing Products  
U.S.A. • since 1862

Pecora Corporation is a manufacturer of materials and not a licensed design professional. Details prepared by Pecora are schematic only and are offered as a guide for the convenience of Pecora's customers.

07 18 00 - TRAFFIC COATINGS / B3040 - TRAFFIC BEARING COATINGS  
**PECORA-DECK HB1000 DECK COATING SYSTEM  
DECK-TO-WALL EXP'N. JT. WITH DYNASPAN**

NO SCALE

REV: 11-2020

DRAWING NO: PEC-HB1000-114